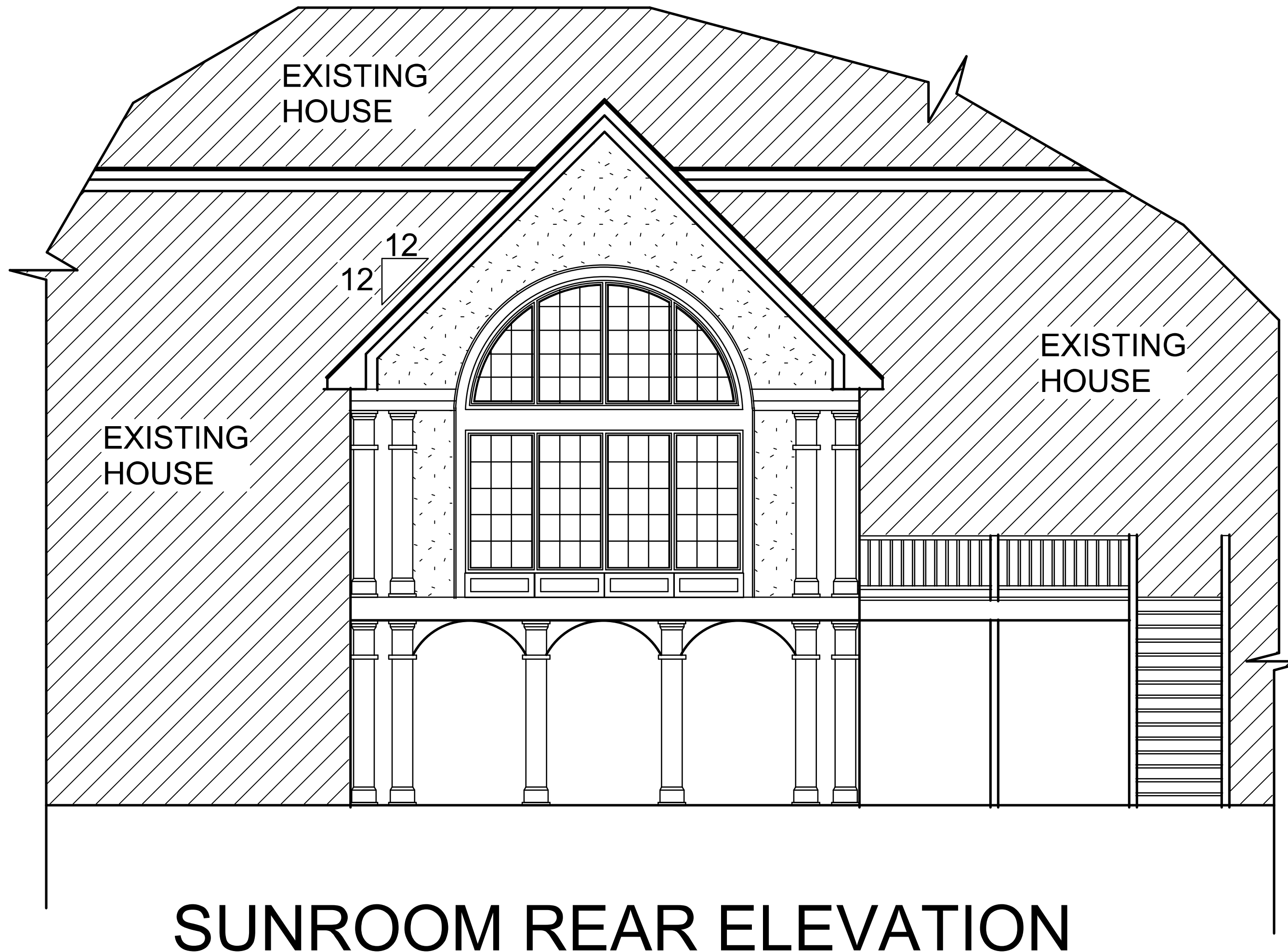


ROOF FRAMING PLAN

ALL RAFTERS 2X10 @ 16" O/C



SUNROOM REAR ELEVATION

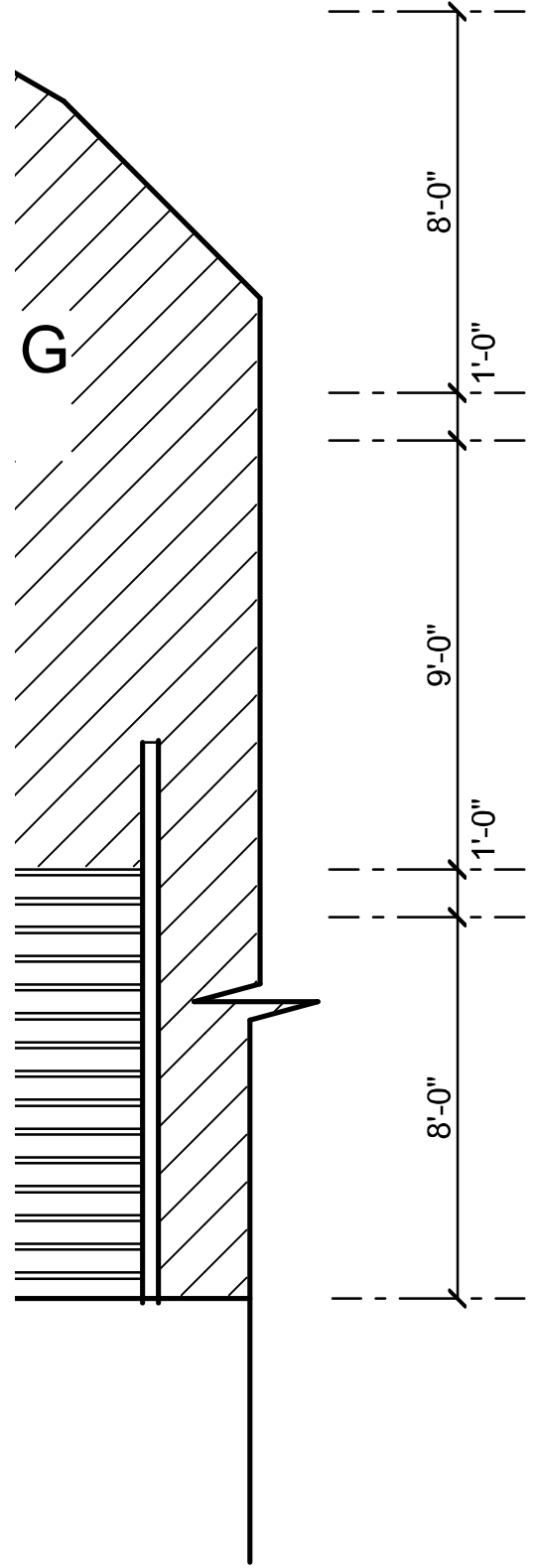
THESE PLANS ARE
FOR APPROVAL ONLY
NOT FOR CONSTRUCTION
10:04 AM
July 10, 2007

Drawn By
www.RandallHenley.com
770-339-7957
866-Draw-1-4-Me

RIGHT



LEFT SIDE ELEVATION

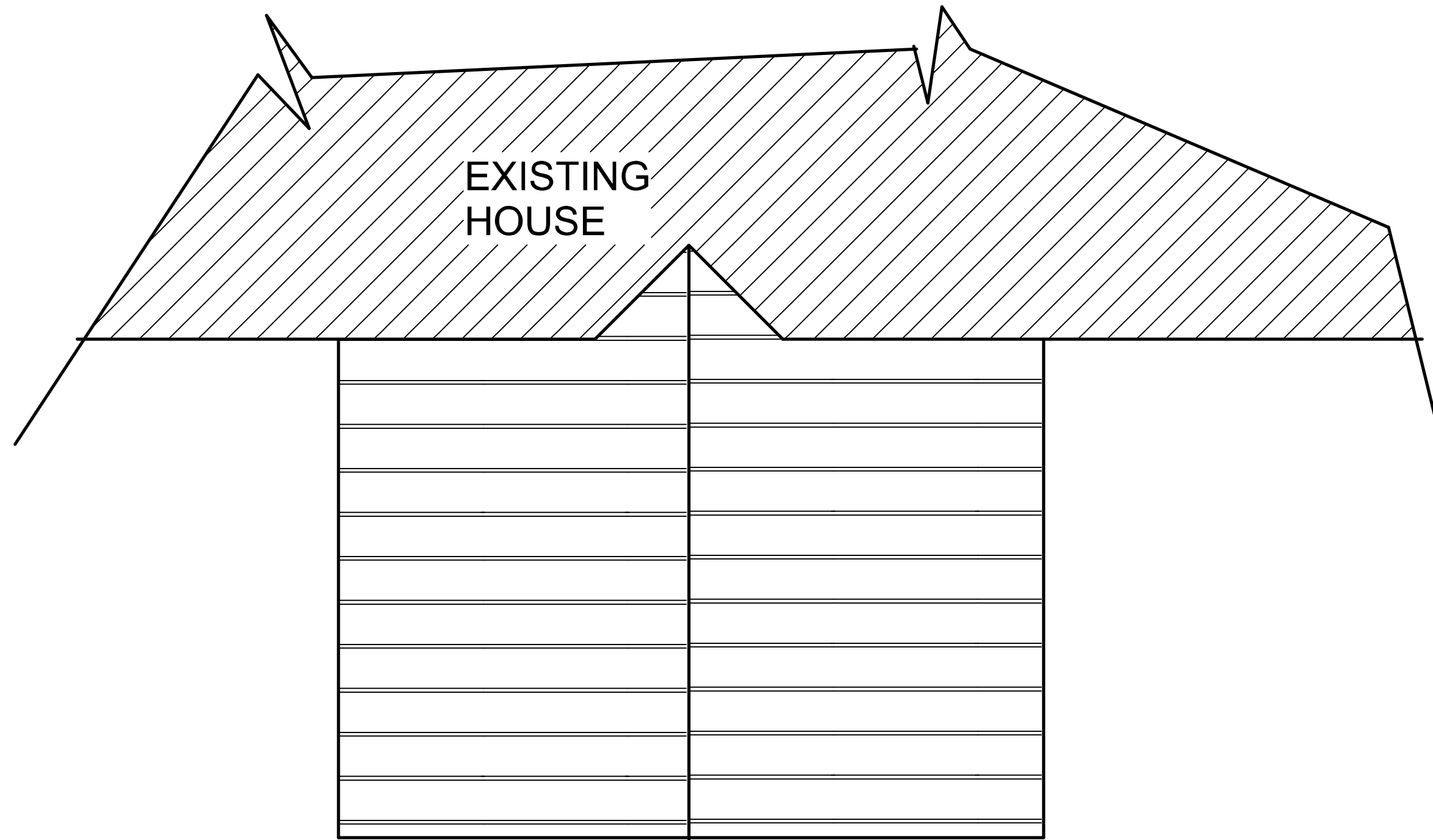


THESE PLANS ARE
 FOR APPROVAL ONLY
 NOT FOR CONSTRUCTION
 10:05 AM
 July 10, 2007

Drawn By
www.RandallHenley.com
 770-339-7957
 866-Draw-1-4-Me

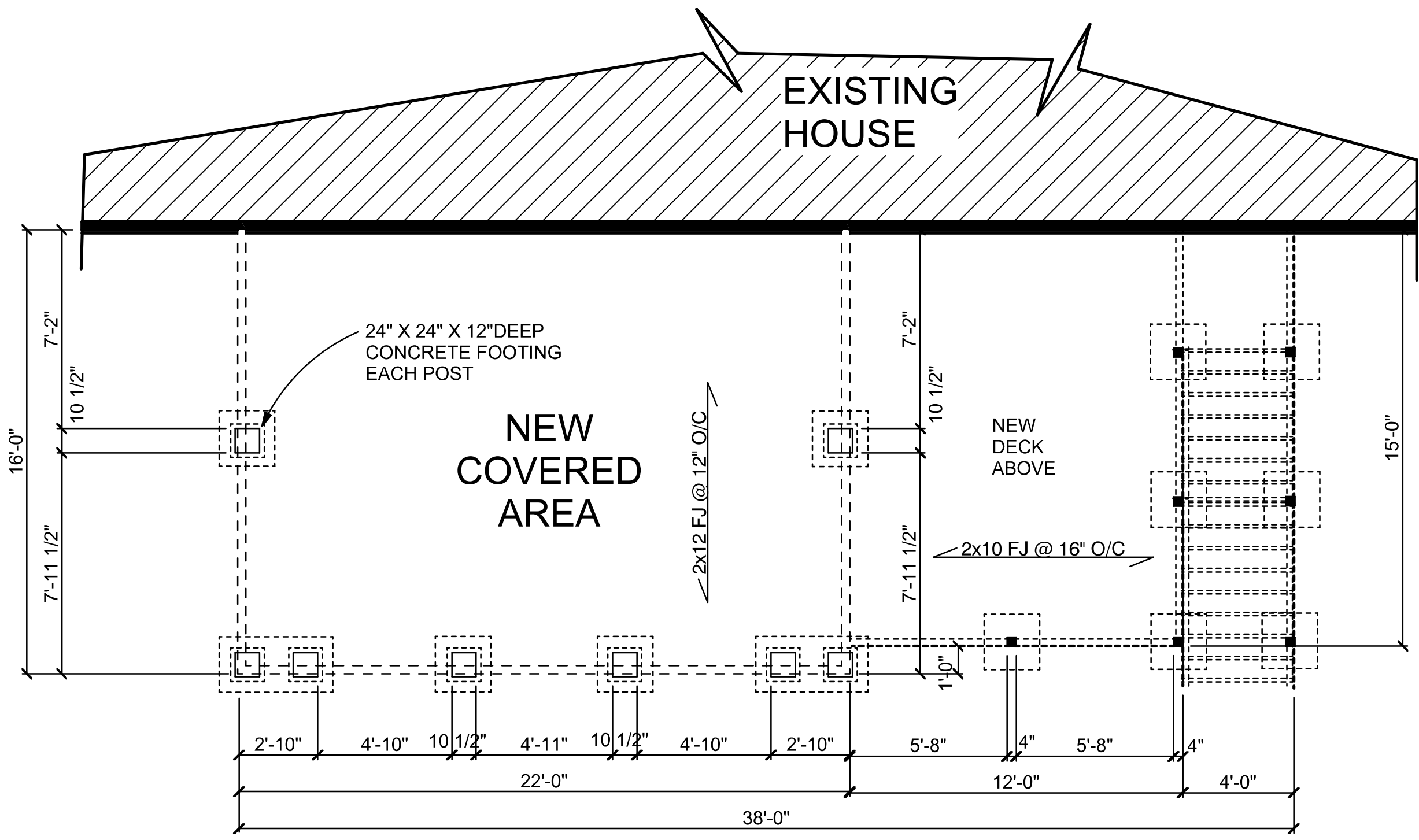


RIGHT SIDE ELEVATION



ROOF FRAMING PLAN

ALL RAFTERS 2X10 @ 16" O/C

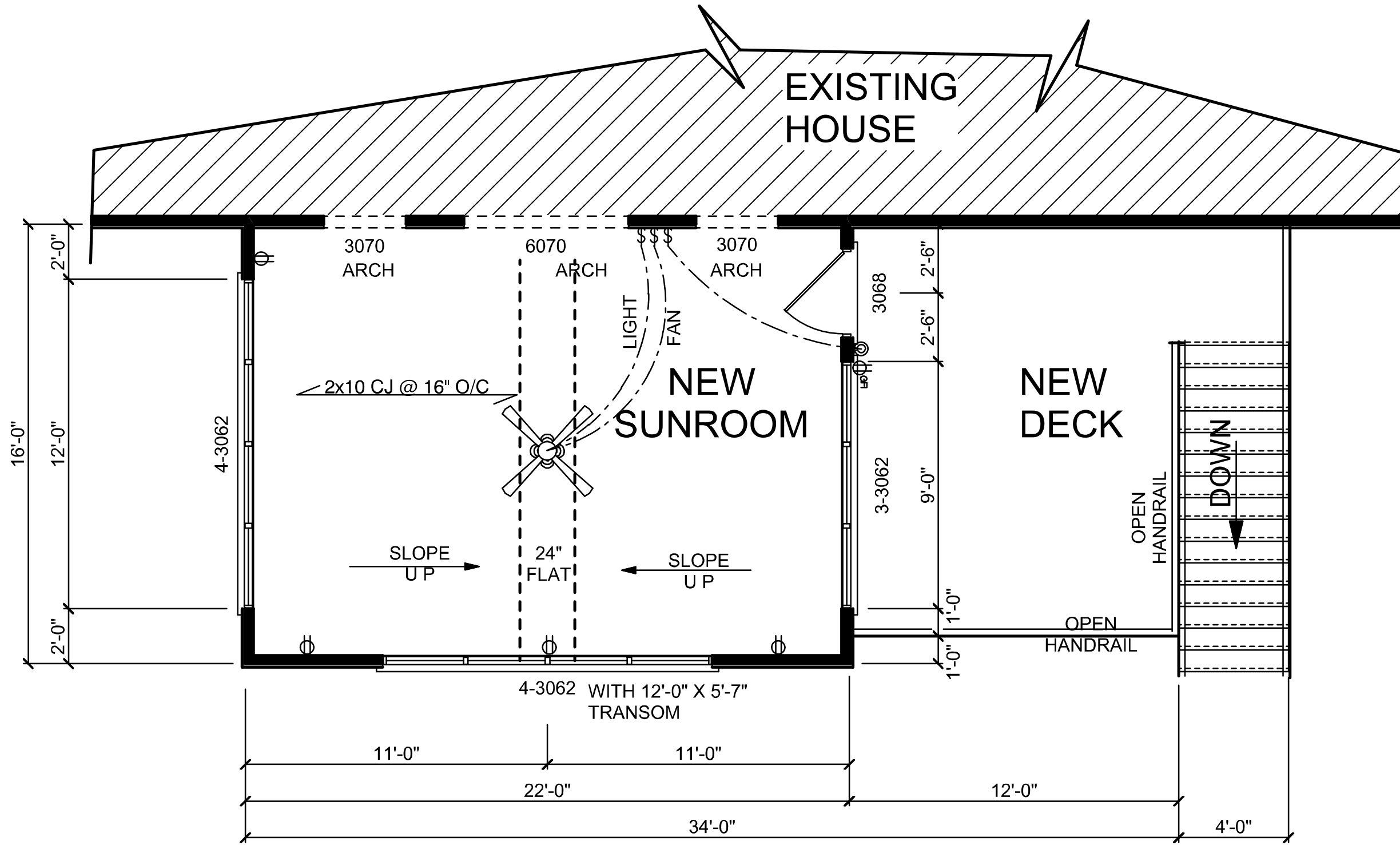


FOUNDATION

SCALE: 1/4"=1'-0"

THESE PLANS ARE
 FOR APPROVAL ONLY
 NOT FOR CONSTRUCTION
 10:05 AM
 July 10, 2007

Drawn By
 www.RandallHenley.com
 770-339-7957
 866-Draw-1-4-Me

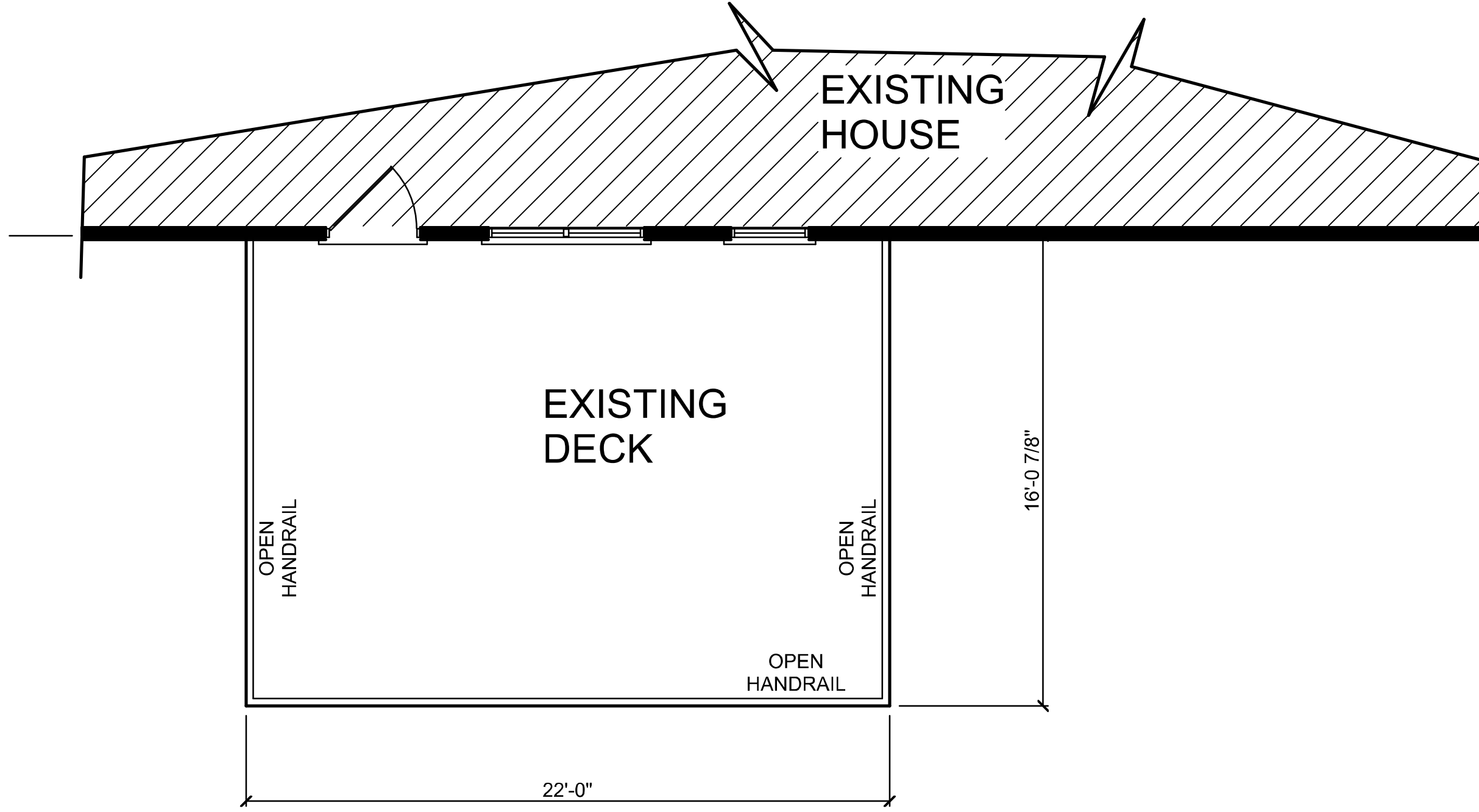


SUNROOM FLOOR PLAN

SCALE: 1/4"=1'-0"

THESE PLANS ARE
 FOR APPROVAL ONLY
 NOT FOR CONSTRUCTION
 10:05 AM
 July 10, 2007

Drawn By
www.RandallHenley.com
 770-339-7957
 866-Draw-1-4-Me



EXISTING FLOOR PLAN

Drawn By
www.RandallHenley.com
770-339-7957
866-Draw-1-4-Me

THESE PLANS ARE
FOR APPROVAL ONLY
NOT FOR CONSTRUCTION
10:05 AM
July 10, 2007